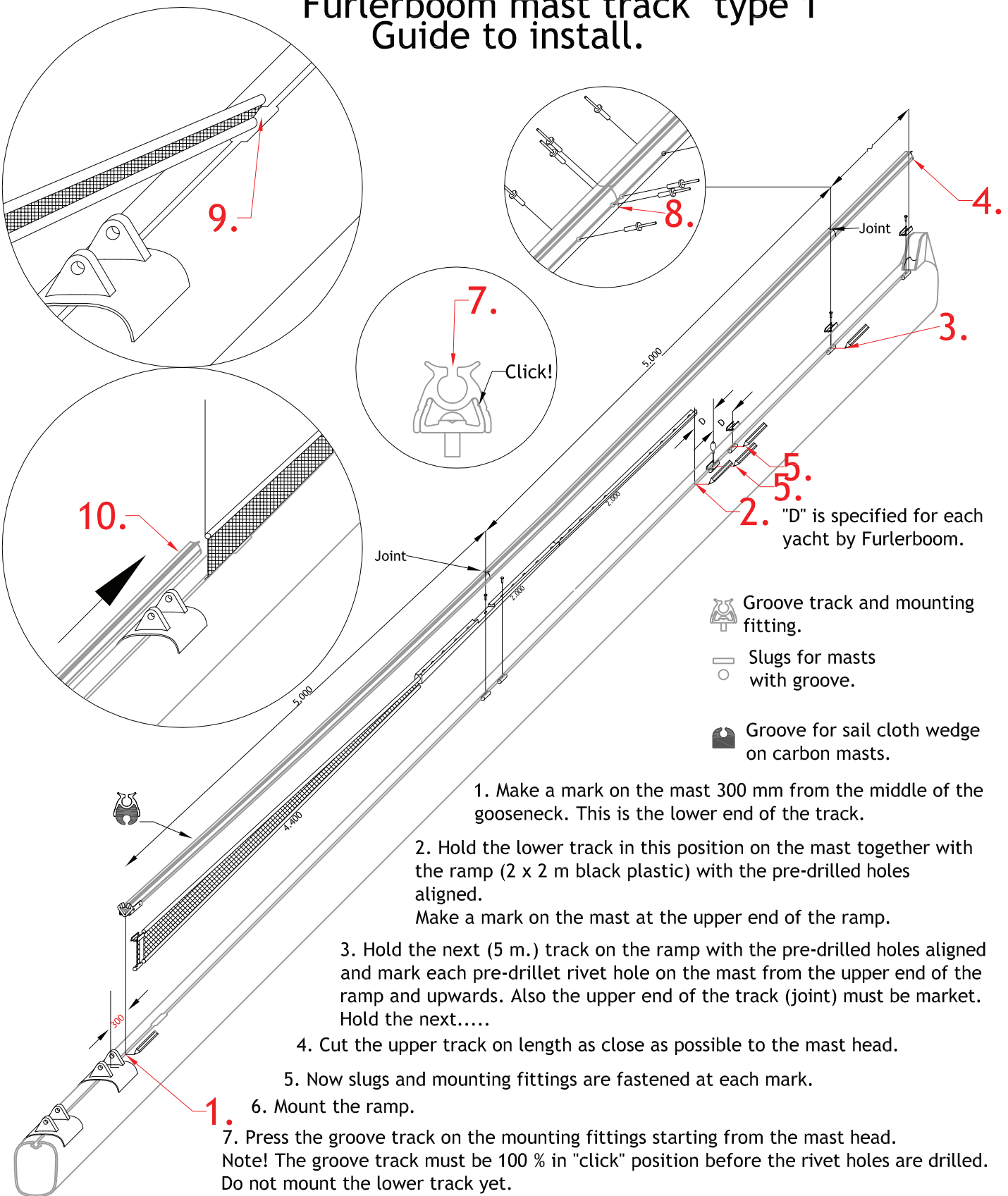





FURLERBOOM

Furlerboom mast track "type 1" Guide to install.



-  Groove track and mounting fitting.
-  Slugs for masts with groove.
-  Groove for sail cloth wedge on carbon masts.

1. Make a mark on the mast 300 mm from the middle of the gooseneck. This is the lower end of the track.

2. Hold the lower track in this position on the mast together with the ramp (2 x 2 m black plastic) with the pre-drilled holes aligned.
Make a mark on the mast at the upper end of the ramp.

3. Hold the next (5 m.) track on the ramp with the pre-drilled holes aligned and mark each pre-drilled rivet hole on the mast from the upper end of the ramp and upwards. Also the upper end of the track (joint) must be marked. Hold the next.....

4. Cut the upper track on length as close as possible to the mast head.

5. Now slugs and mounting fittings are fastened at each mark.

6. Mount the ramp.

7. Press the groove track on the mounting fittings starting from the mast head.
Note! The groove track must be 100 % in "click" position before the rivet holes are drilled.
Do not mount the lower track yet.

8. Drill 1 Ø 4.9 mm rivet hole in each mounting fitting through the predrilled hole in the groove track. (2 in each side at the joints)

9. Slide the sail cloth wedge into the groove (fitted with bolt rope or sliders to fit the actual groove)

10. Slide the lower track over the sail cloth wedge and fasten with rivets and screws.
The connection between mast and mast track at the lower end is fastened.